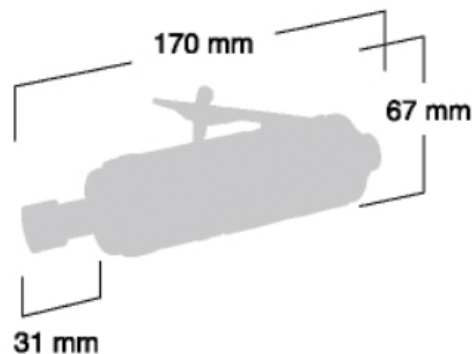


# Die Grinder

# SI-2012EX-6

<b>Collet Size</b> SI-2012EX / SI-2012EX-6	φ1/4" / φ6mm
<b>Free Speed</b> r.p.m.(MAX)	25,000
<b>Out Put</b> Watt	388
<b>Weight</b> kg/(lb)	0.60/(1.31)
<b>Noise Level *</b> dBA/(power)	87/(98)
<b>Vibration a/k *</b> m/s <sup>2</sup>	3.9/1.3
<b>Avg.Air Consumption</b> CFM/(L/S)	4.0/(1.9)



- Compact, lightweight, ergonomic design
- Feather touch throttle lever for easy operation
- Double mold composite body cover for added vibration and cold temperature protection
- 1/4" collet and 6mm collets are available